

620 SR

Automatic barrier for beams up to 3 m

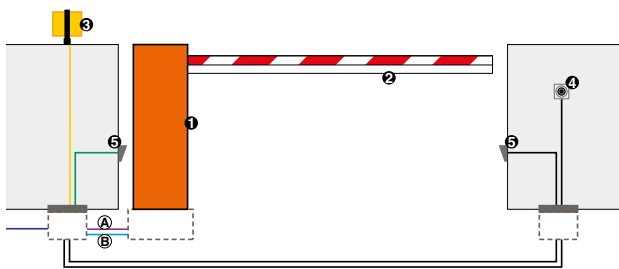


- Hydraulic operator with opening and closing block
- External release system with triangular key
- Adjustable hydraulic deceleration
- Carrying housing in steel with cataphoresis treatment and polyester paint (STD models) or stainless steel AISI 316 L (inox models).
- Built-in detector, two independent channels.
- Bus technology.

DIMENSIONS AND TECHNICAL SPECIFICATIONS 620 SR

Power supply voltage	230 Vac (+6% -10%) 50 (60) Hz	Weight	80 kg
Electric motor	single-phase, bi-directional	Type of oil	FAAC HP OIL
Absorbed power	220 W	Barrier body treatment	100 micron epoxy zinc-plating anti-corrosion treatment
Absorbed current	1 A	Paint	Polyester RAL 2004/inox
Motor rotation speed	2800 r.p.m.	Protection class	IP 44
Pump flow rate	3 l/min	Cooling	Forced air
Thermal protection on motor winding	130°C	Type of beam	rectangular - round - pivoting round
Electronic deceleration	Adjustable with cams	Dimensions (L x D x H) in mm	380 x 200 x 1080
Operating ambient temperature	-20°C to +55°C		

TYPICAL INSTALLATION EXAMPLE



■ (A) Low voltage cabling

- 3 cables 3x0.5
- 1 cable 2x0.5

■ (B) Power cabling (230V)

- 1 cable 2x1.5+T
- 1 cable 2x1.5

N.B: Cable sections in mm²

Ref.	Q.ty	Description of material	Item code	Kit
①	1	620 SR barrier body with built-in control unit 624 BLD	see following page	Not available
	1	Fastening pocket for rectangular beams	428344	
	1	Foundation plate	490058	
②	1	Rectangular beam 2,815 mm	428089	
	1	Receiver board RP 433 SLH	787824	
	1	Two-channels transmitter XT2 433 SLH LR	787007	
③	1	Flashing lamp FAACLIGHT	410013	
⑤	1	Pair of photocells FOTOSWITCH	785152	
	2	Aluminium columns for FOTOSWITCH	401028	
④	1	Key-operated push-button T10	401010001/36	
	2	Foundation plates for columns	737630	
	1	Plastic container to be walled in	720086	

Notes

ATTENTION: The configuration does not include the safety devices (i.e.: active or passive safety edges) that are to be determined according to the specific "risk analysis" of each installation (Ref.: UNI-EN 12445 and 12453 European Standards).

- The indicated price does not include the installation costs and the expenses for masonry, electrical and metalwork preparations.

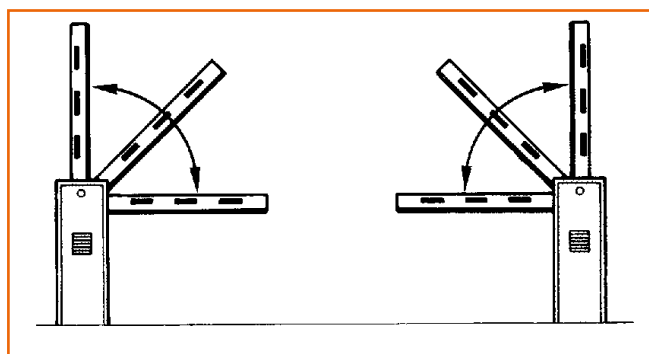
620 SR

Model	Use			Control unit	Item code
	Beam max. length (m)	Opening time (s)	Use frequency (%)		
620 SR LH/RH (0,8/0,8 s) STD	2.815	0,8/0,8	Continuous duty	Built-in 624 BLD	See following table
620 SR LH/RH (0,8/2,2 s) STD	2.815	0,8/2,2	Continuous duty	Built-in 624 BLD	See following table
620 SR LH/RH (0,8/0,8 s) INOX	2.815	0,8/0,8	Continuous duty	Built-in 624 BLD	See following table
620 SR LH/RH (0,8/2,2 s) INOX	2.815	0,8/2,2	Continuous duty	Built-in 624 BLD	See following table

The packages 620 SR include: barrier body - for rectangular / round / pivoting round beam - for rectangular articulated beam, hydraulic drive transmission system complete with balancing spring, installation accessories, a triangular release key.

ORDER CODES TABLE FOR 620 SR BARRIER

Model	Beam profile	Beam length (mm)	LH version code	RH version code
620 SR (0,8/0,8 s) STANDARD	620 rectangular	2.065 to 2.305	104781	104761
	620 rectangular	2.315 to 2.815	104780	104760
	620 round	2.500 to 3.000	104781	104761
	620 pivoting round	2.250 to 3.000	104781	104761
620 SR (0,8/2,2 s) STANDARD	620 rectangular	2.250 to 2.490	104791	104771
	620 rectangular	2.500 to 3.000	104790	104770
	620 round	2.500 to 3.000	104791	104771
	620 pivoting round	2.250 to 3.000	104791	104771
620 SR (0,8/0,8 s) INOX	620 rectangular	2.065 to 2.305	104821	104801
	620 rectangular	2.315 to 2.815	104820	104800
	620 round	2.500 to 3.000	104821	104801
	620 pivoting round	2.250 to 3.000	104821	104801
620 SR (0,8/2,2 s) INOX	620 rectangular	2.065 to 2.305	104831	104811
	620 rectangular	2.315 to 2.815	104830	104810
	620 round	2.500 to 3.000	104831	104811
	620 pivoting round	2.250 to 3.000	104831	104811



Right barrier

Left barrier

Notes

- **IMPORTANT:** the beam fastening pocket is not included in the case and must be ordered separately (Specific accessories).
- (*) A = H - 1155 mm where H is the floor to ceiling height.
- You can determine right or left barrier version by looking at the barrier from the door side (see drawing above). The door usually faces the inside of the property.
- **IMPORTANT:** the rectangular beam has a profile in anti-impact rubber; for balancing reasons, "active" safety edges cannot be installed on the beam profile.
- A skirt kit and/or end foot cannot be installed on a round beam.

CONTROL UNITS



Built-in control board 624 BLD
Technical specifications page 150

SPECIFIC ACCESSORIES



Foundation plate

Item code 490059

620 SR

SPECIFIC ACCESSORIES



Standard rectangular beams

Length	2,315 mm
Item code	428088

Length	2,815 mm
Item code	428089



Round beams (while stocks last)

Length	2,500 mm
Item code	428078

Length	3,000 mm
Item code	428075



Pivoting round beams

Length	2,500 mm
Item code	428175

Length	3,000 mm
Item code	428176



Fastening pocket for rectangular, round and pivoting round beams

Rectangular beams	
Item code	428344

Round beams (while stocks last)	
Item code	428152

(INOX) Round beams	
Item code	428153

(INOX) Pivoting round beams	
Item code	428163



Release lock with customised key from no. 1 to no. 36

Code from 424641 to 424676



Additional triangular release key (10 pcs package)

Item code 713002



Support fork for beams

Item code 722633



Fork support plate

Item code 737621

ACCESSORIES FOR SPECIFIC USES



Anti-vandal valve (*)

It protects the hydraulic system if the beam is forced

Item code 401066



Anti-panic unit (*)

For manual opening of the beam in the event of a power cut

Item code 401051



Break out sensor for pivoting round beams

Item code 390828

Notes

- (*) The anti-panic unit and the anti-vandal valve cannot coexist on the same barrier.

OTHER ACCESSORIES



Key-operated push-buttons
page 159



Photocells and Columns
page 163



Safety devices
page 166



Flashing lamps
page 167



Transmitters
page 156



Various accessories
page 168