

# Spin

## A BARRIER THAT PROTECTS YOUR WORLD

- SPIN is a non-reversible electro-mechanical gearmotor, suitable for automating car parks or accesses to private areas.
- Solid, sturdy load-bearing structure, in cataphoresis treated steel painted with polyester powders, or a version with hood and hatch in stainless steel sheet.
- Personalised release key for manually moving the barrier in case of a power cut.
- Integrated control board with separate opening and closing inputs, electrical and mechanical limit-switches supplied standard.
- The 230V model has a connector for controlling the anti-crushing safety device at closure.

## FREQUENCY NOT ONLY AT LOW VOLTAGE

- The special attention addressed to the choice of the type of reduction and motor, has made it possible to produce 230/115 Vac models with high use frequency, up to over 350 cycles/hour.
- Rapidly transforms from right-hand to left-hand version.

## FIELD OF APPLICATION

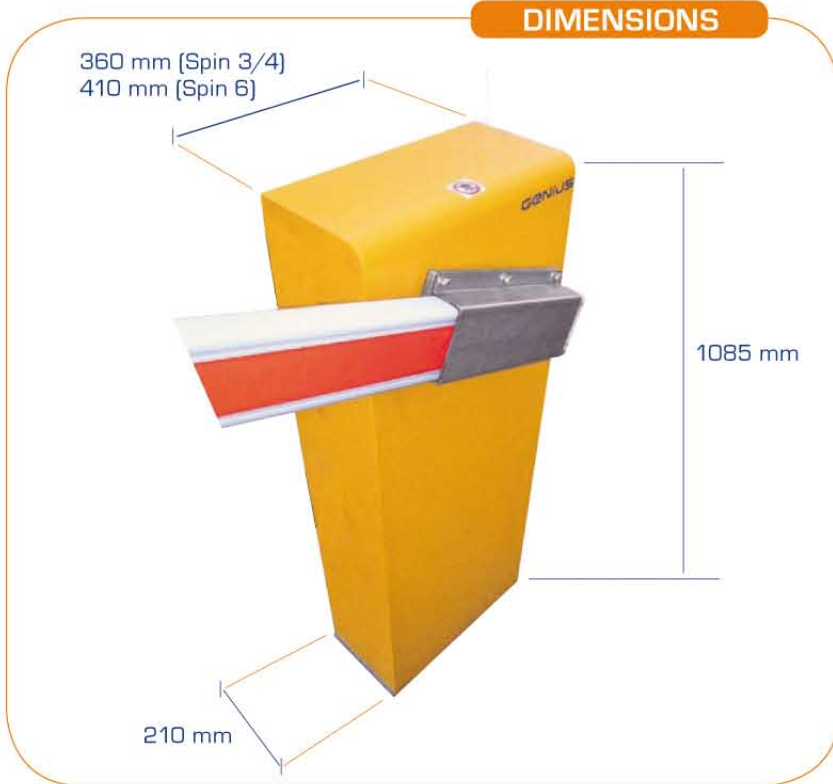
- Available in several versions: 230V / 115V / 24V
- Three models with or without integrated control board, SPIN 3 and 4 for rapid services, SPIN 6 for large entrances.
- The 24V models are an important resource to increase the frequency of manoeuvres in case of intensive use.



Power supply 24V recommended for an intensive use.

Model	Version
SPIN 424	Non-reversible power supply 24 Volt
SPIN 3	Non-reversible Fast
SPIN 3 - S	Non-reversible without control board
SPIN 3 INOX	Non-reversible Fast stainless steel hood
SPIN 4	Non-reversible
SPIN 4 - S	Non-reversible without control board
SPIN 4 INOX	Non-reversible stainless steel hood
SPIN 6	Non-reversible Slow
SPIN 6 - S	Non-reversible without control board
SPIN 6 INOX	Non-reversible Slow stainless steel hood

## DIMENSIONS



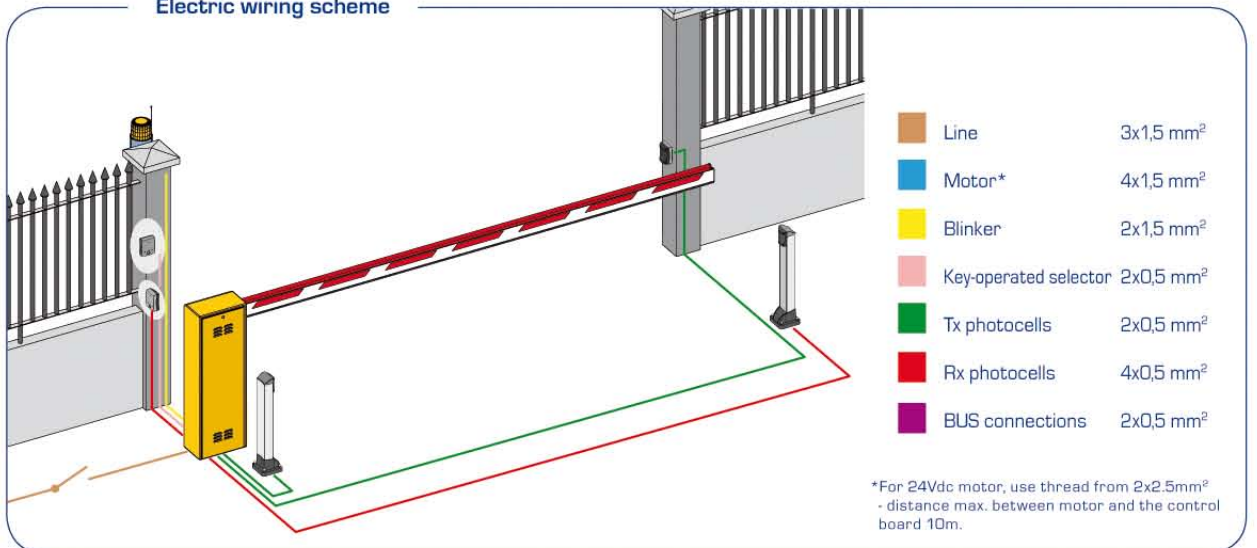
## CONTROL BOARDS



LYNX 453 (Page 110)  
LYNX 03 (Page 115)



## Electric wiring scheme



Technical specifications	SPIN 3	SPIN 4	SPIN 424	SPIN 6
Power supply [Vac]		230	24	230
Power [W]		250	100	380
Current [A]		1.1	3.5	1.7
Heat protection [°C]		140	-	140
Capacitor [µF]		12.5	-	12.5
Torque max. [Nm]	60	100	100	150
Opening time [sec] <sup>(1)</sup>	2.5	4	4	8
Max. beam length [m] <sup>(2)</sup>	3 <sup>(2)</sup>	5 <sup>(2)</sup>	5 <sup>(2)</sup>	7 <sup>(2)</sup>
Type and frequency of use at 20 °C	S3 - 50%		100%	S3 - 60%
Indicative hour cycles at 20°C <sup>(1)</sup>	≥360	≥225	≥450	≥130
Operating ambient temperature	-20°C + 55°C		-20°C + 55°C	-20°C + 55°C
Operator weight [Kg]	63		63	69
Protection class	IP44		IP44	IP44

(1) Opening time and number of cycles calculated for correctly executed installations at the dimensions indicated in the installation instructions and without slow-downs.

(2) No type of accessory can be fitted on the beams installed on Spin 3 models.

- The articulated kit cannot be installed on beams of over 4 meters installed on Spin 4 models.

- On Spin 424 the beam with mobile support and skirt can be mounted only up to 4m

- No type of accessory can be fitted on beams of over 6 meters installed on Spin 6 models.

## ACCESSORIES FOR SPIN



### BEAMS FOR SPIN 3\* - SPIN 4

Aluminium beam painted with white epoxy powders, complete with retroreflecting stickers and rubber profile. Dimensions 90 x 25.

Model	Length (m)	Useful (m)
Beam 3*	3	2,66
Beam 4	4	3,66
Beam 5**	5	4,66

### SPRINGS FOR SPIN 3 - SPIN 4



Beam only (m)	Articulated Beam (m)	Beam and mobile support (m)	Beam and skirt (m)	Beam with lights (m)	Spring thickness (mm)
2 - 2,7	2 - 2,7			2 - 2,4	4 - White
2,7 - 3,4	2,7 - 3,4	2 - 2,7	2 - 2,7	2,4 - 2,9	4,5 - Red
3,4 - 4	3,4 - 4	2,7 - 3,4	2,7 - 3,4	2,9 - 3,4	5 - Green
4 - 4,6		3,4 - 4	3,4 - 4	3,4 - 4	5,5 - Yellow
4,6 - 5		4 - 5	4 - 4,6		6 - Blue
			4,6 - 5		6,5 - Grey



### CYLINDER BEAMS FOR SPIN 6

Aluminium cylinder beam Ø 100 mm, painted with white epoxy powders.

#### Denomination

Cylinder Beam L 6000 D 100 Spin 6

Cylinder Beam L 7000 D 100 Spin 6

Kit of two parts Beam L 7000 (2x3500) D 100 Spin 6

Pocket for cylinder Beam D 100

Stickers kit for cylinder Beam D 100 Spin 6



### BEAMS FOR SPIN 6

Aluminium beam painted with white epoxy powders, complete with retro-reflecting stickers. Dimensions 100 x 50.

Model	Length (m)	Useful (m)
Beam 5**	5	4,62
Beam 6**	6	5,62
Beam 7**	7	6,62

### SPRINGS FOR SPIN 6



Beam only (m)	Beam and mobile support (m)	Beam and skirt (m)	Full cylinder Beam (m)	Two parts cylinder Beam (m)	Spring thickness (mm)
4 - 4,8			4,3 - 4,9	4 - 4,6	6 - White
4,8 - 5,5	4 - 4,8	4 - 4,8	4,9 - 5,6	4,6 - 5,4	6,5 - Red
5,5 - 6,3	4,8 - 5,5	4,8 - 5,5	5,6 - 6,5	5,4 - 6,4	7 - Green
6,3 - 7	5,5 - 6	5,5 - 6	6,5 - 7	6,4 - 7	8,5 - Yellow

\* PLEASE NOTE. For the SPIN 3 model, beams with a length of over 3 m cannot be used.

\*\* PLEASE NOTE. For shipments of beams of over 4m, please contact the shipping office.

## ACCESSORIES FOR SPIN



### BATTERY KIT

Battery Kit 12V-4 Ah dimensions 90X70X108 mm. with cables and support for fixing inside the hood of SPIN 424.



### APM

APM mobile support for beam.



### RELEASE KEY

Set of 6 additional release keys.



### ARTICULATED KIT

Articulated beam KIT for SPIN 4 (max. 3 m useful length).



### SKIRT

SKIRT KIT in painted aluminium

Length 2 m.

Length 3 m.



### SENSOR

Anti-crushing sensor.



### APF

APF fixed support for Spin 6 beam.



### APF FOND

APF foundation plate for fixed support.



### LIGHT KIT

Light kit for SPIN 4 to be applied on beams up to 4 m.



### SPIN FOND

SPIN foundation plate with accessories for SPIN 3/4/6.